



**TITAN**<sup>®</sup>


TITAN FLOW CONTROL, INC

**20  
23**



# FIRE-LINE PRODUCT GUIDE

ALL  
NEW  
PRODUCTS!



Introducing Titan Flow Control's game-changing line of UL-Listed fireline products specifically designed for enhanced safety, efficiency, and reliability. Our portfolio includes top-notch industrial strainers, butterfly valves, and check valves; all featuring grooved-end connections. Each product is UL-Listed and NSF approved; promising unparalleled performance and safety. Experience the evolution of industrial operations with Titan's innovative fireline products.

# Each product in Titan's Fire-Line is UL listed.

The following standards are referenced in the design of Titan Flow Control, Inc's Fire-Line. Please contact a Titan Engineer with any questions about design requirements or specifications.

AWWA C606 Grooved and Shouldered Joints

API 598 Valve Inspection and Testing

MSS SP-25 Standard Marking System for Valves

MSS SP-55 Quality Standard for Valve Castings

Valves are designed to comply with MSS SP-67 Type II

Valves are tested to comply with MSS SP-67

Top flange drilling conform to ISO 5211

UL Subject 321 Pipeline Strainers

ULC / ORD-C 321 Pipeline Strainers (Canada)

AWWA C606 Grooved and Shouldered Joints

NSF/ASME 61 AND NSF/ASME 372

ASME/CAN/UL/ULC 312 Check Valves for Fire Protection.  
FM 1210 Swing Check

ASME/CAN/UL/ULC 1091 Butterfly valves for Fire Protection.  
FM 1112 Indicating Valves.

## FM APPROVALS



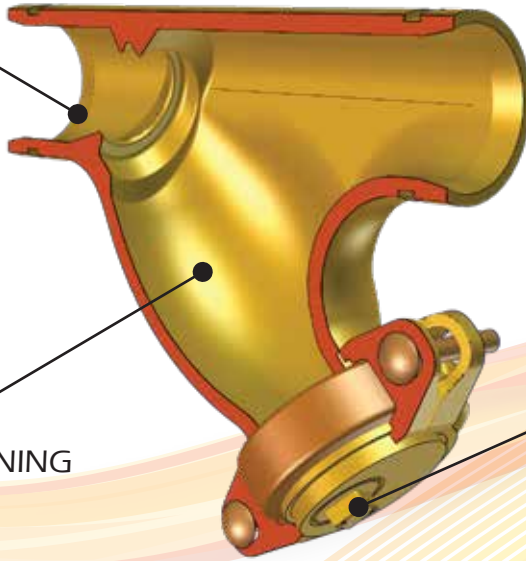
Titan FCI boasts numerous FM approved designs. FM approved certification mark represents the highest standards in quality, technical integrity and performance.

**FM approved products are subjected to a rigorous testing process in state-of-the-art facilities and laboratories.**



# FIRE-LINE PRODUCTS KEY FEATURES

WELD-FREE  
QUICK-CONNECT ENDS



LARGE STRAINING  
CAPACITY

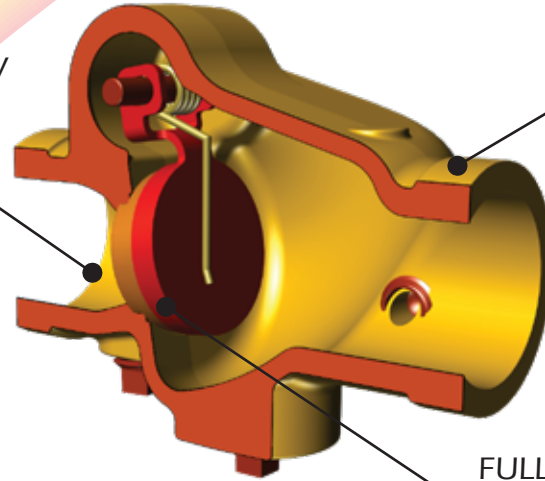
SELF-CLEANING  
CAPABILITY

## GROOVED-END Y-TYPE STRAINER

(YS58G-UL)

- 2" to 12"
- 300 W.O.G

WELD-FREE  
QUICK-CONNECT ENDS



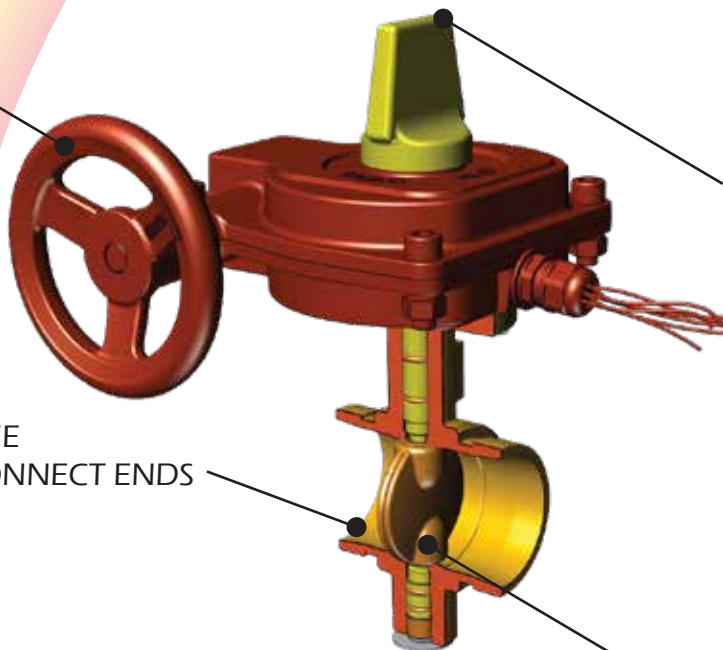
SHORT,  
STRAIGHT FLOW  
PATH

FULLY-AUTOMATIC  
SPRING ASSISTED  
DISC

## GROOVED-END CHECK VALVE

- (CV31G-UL)
- 2" to 12"
  - 300 W.O.G

STANDARD GEAR OPERATOR  
ON ALL SIZES



STANDARD ANTI-TAMPER  
INDICATOR SWITCH

WELD-FREE  
QUICK-CONNECT ENDS

## GROOVED-END BUTTERFLY VALVE

- (BFV77G-UL)
- 2" to 12"
  - 300 W.O.G

EPDM OR BUNA-N  
DISC





- Swing Check Valve • Single Disc
- Ductile Iron • Size 2 ~ 12"

# CV31G-UL



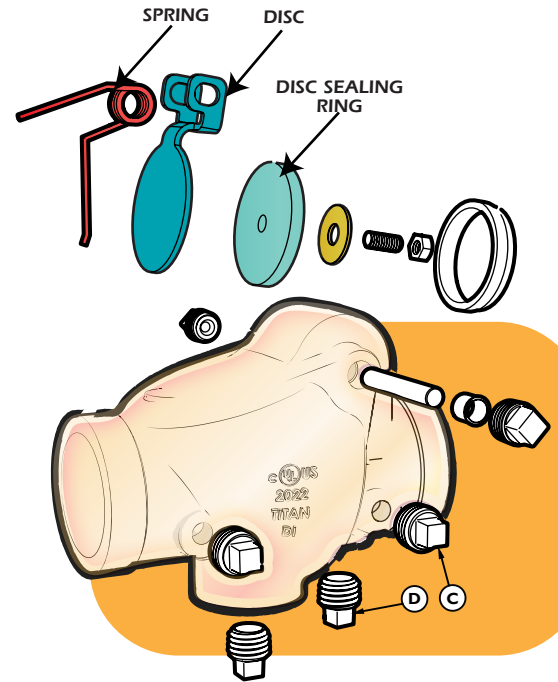
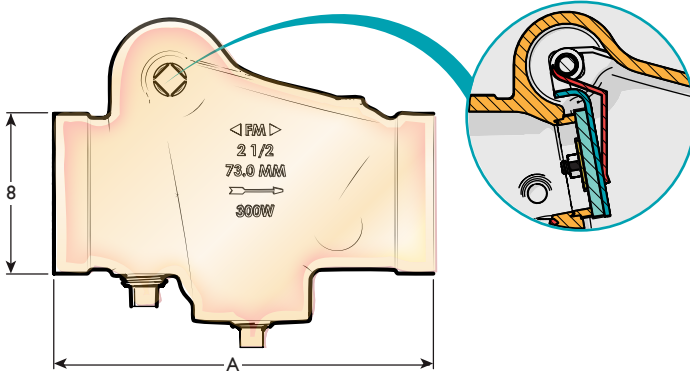
**300 psi  
PRESSURE  
RATING!**

Our fire-line grooved end check-valve contains a fully-automatic, spring assisted disk. This internal disc design creates zero leak paths and closes at near zero flow velocity, helping all but eliminate water hammer. In addition, EPDM resilient soft seats, help maintain a bubble tight seal.



NSF/ANSI 61

NSF/ANSI 372



### SEAT/SPRING TEMPERATURE RATINGS<sup>(2)</sup>

SEAT	Temperature Range
EPDM	-20 °F ~ 250 °F
SPRING	Maximum Temperature
Series 300 Stainless Steel	450 °F

### PRESSURE - TEMP RATING<sup>(1)</sup>

Pressure Class	<b>Ductile Iron A536</b>
WOG: (NON-SHOCK)	300 PSI @ 100 °F

### DIMENSIONS AND PERFORMANCE DATA<sup>(1)</sup>

SIZE	IN	MM	2 50	2 1/2 65	3 80	4 100	5 125	6 150	8 200	10 250	12 300
<b>A</b> DIMENSION FACE TO FACE	in		6.75	7.25	7.75	8.25	9.75	12.75	14.61	18.00	21.06
	mm		171	184	197	210	248	324	371	457	535
<b>B</b> DIMENSION OVERALL DIAMETER	in		2.37	2.87	3.50	4.50	5.56	6.63	8.63	10.75	12.75
	mm		60	73	89	114	141	168	219	273	324
<b>C</b> DIMENSION DP TAPS	in		3/8	3/8	3/8	1/2	1/2	1/2	1/2	1/2	1/2
	mm		10	10	10	15	15	15	15	15	15
<b>D</b> DIMENSION BLOW-OFF	in		1/2	1/2	1/2	1/2	1/2	1/2	1/2	1/2	1/2
	mm		15	15	15	15	15	15	15	15	15
ASSEMBLED WEIGHT	lbs		7.25	8.00	10.3	16	21.75	35.6	60	115	167
	kg		3.3	3.6	4.7	7.3	9.9	16.2	27.2	52	75.7
Flow Coefficient	C <sub>v</sub>		112	140	250	390	700	1000	1800	3000	4200
Cracking Pressure <sup>(3)</sup>	psi		≤ .25	≤ .25	≤ .25	≤ .25	≤ .25	≤ .25	≤ .25	≤ .25	≤ .25

1. Dimensions, weights, and flow coefficients are for reference only. When required, request certified drawings.
2. Face to face values have a tolerance of ±0.06 in (±2.0 mm) for sizes 10" and lower and a tolerance of ±0.12 in (±3.0 mm) for 12" sizes.
3. Cracking pressure is for horizontal installations only. For vertical installations, please consult factory.

• **Y Strainer** • **Large Capacity**

• **Ductile Iron** • **Size 2 ~ 12"**

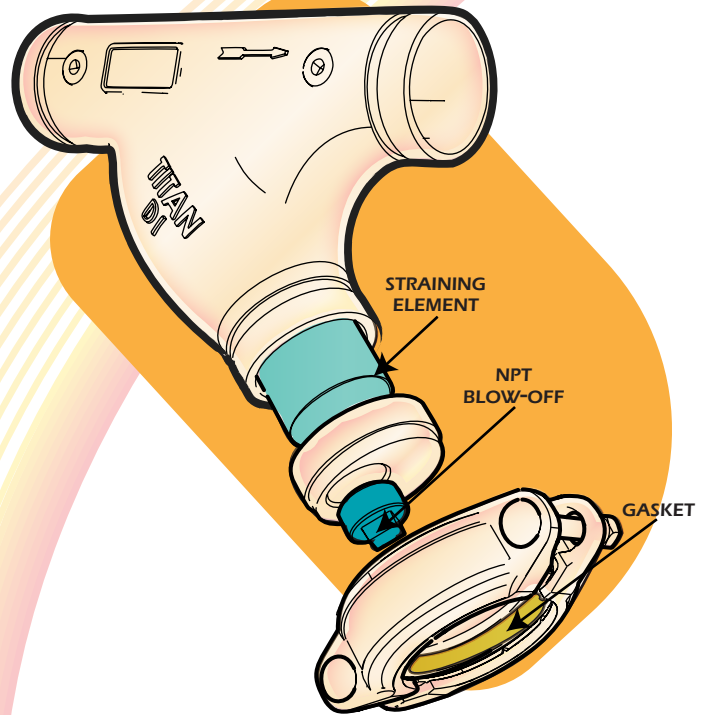
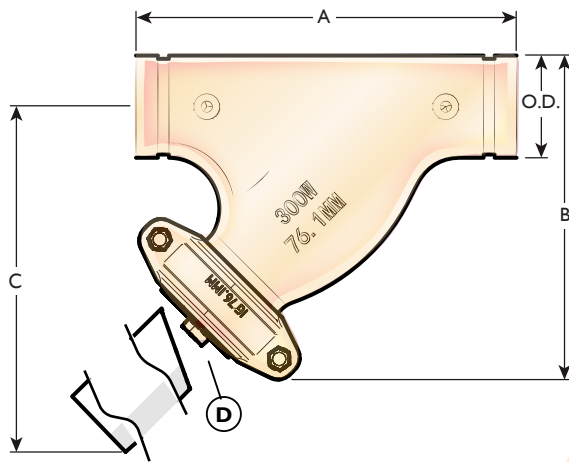


**300 psi  
PRESSURE  
RATING!**

# YS58G-UL

Our Fire-Line grooved end Y-Strainer is complete with quick connect ends. High pressure tested and quick install brought to you by Titan Flow Control. Our Grooved-End Strainers comply with AWWA standard C606 couplings.

**UL** us NSF/ANSI 61 NSF/ANSI 372  
LISTED



### SCREEN AREAS

Size	Perf. Size	Free Flow Area
2" ~ 2-1/2"	5/32"	48%
3" ~ 4"	13/64"	53%
5"	15/64"	58%
6" ~ 12"	1/4"	56%

### PRESSURE - TEMP RATING

<b>A536</b>	<b>2" ~ 12"</b>
WOG: (NON-SHOCK)	300 PSI @ 100 °F

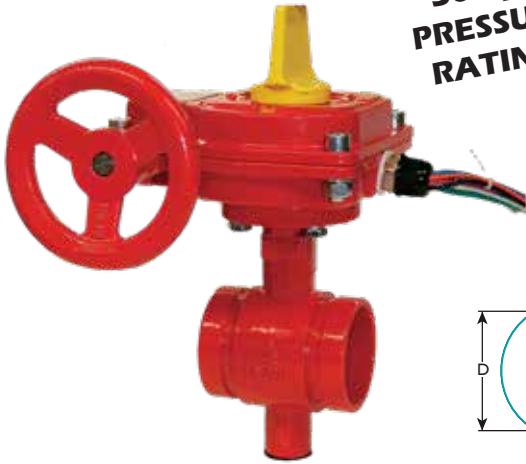
### DIMENSIONS AND PERFORMANCE DATA <sup>(1)</sup>

SIZE	IN MM	2 50	2 1/2 65	3 80	4 100	5 125	6 150	8 200	10 250	12 300
<b>O.D. DIMENSION</b> OVERALL	in	2.38	2.88	3.50	4.50	5.56	6.63	8.63	10.75	12.75
	mm	60.3	73.0	88.9	114.3	141.3	168.4	219.1	273.1	323.9
<b>A DIMENSION</b> FACE TO FACE (FLAT) <sup>(2)</sup>	in	9.75	10.75	11.75	14.25	16.50	18.5	24.00	27.00	30.00
	mm	248	273	298	362	419	470	610	686	762
<b>B DIMENSION</b> CENTERLINE TO BOTTOM	in	6.69	7.28	8.15	10.00	11.25	13.38	16.54	19.00	22.84
	mm	170	185	207	255	286	340	420	482	580
<b>C DIMENSION</b> SCREEN REMOVAL	in	10.10	10.60	11.60	15.0	16.25	19.50	26.00	32.20	35.70
	mm	257	270	295	381	413	495	660	818	907
<b>D NPT PLUG</b> BLOW-OFF	in	1	1	1	1	1 1/2	1 1/2	1 1/2	1 1/2	1 1/2
	mm	25	25	25	40	50	50	50	50	50
APPROXIMATE ASSEMBLED WEIGHT	lb	8.3	13.7	20.2	33.6	48.1	72.2	156.2	239.4	351.6
	kg	3.8	6.2	9.2	15.3	21.8	32.7	70.9	108.6	159.5
Flow Coefficient	C <sub>v</sub>	70	75	165	340	500	700	1330	2000	2900

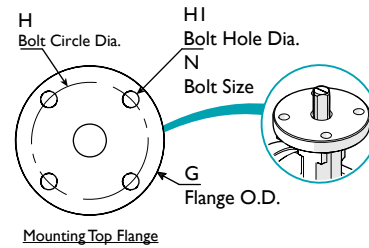
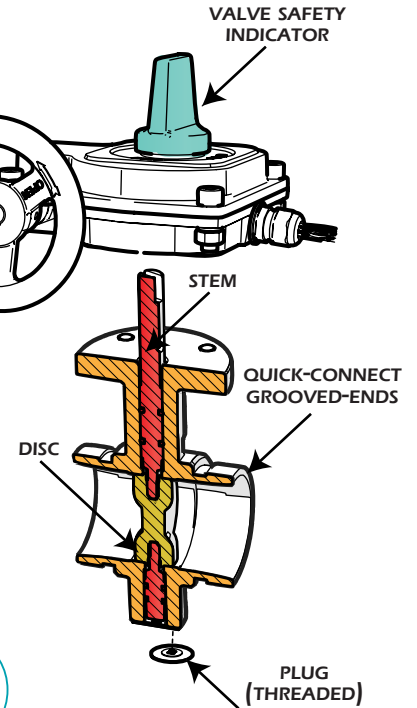
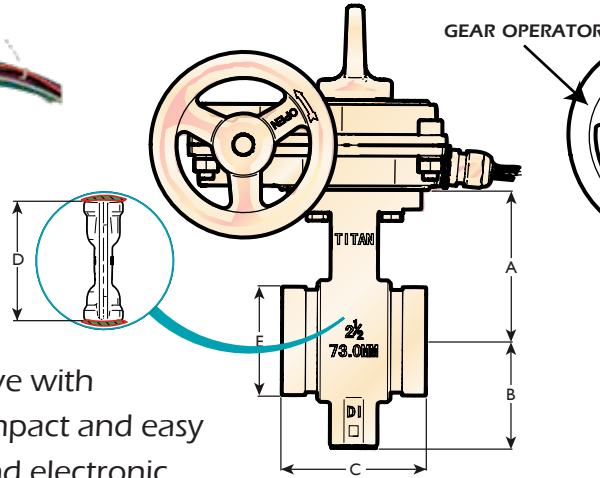
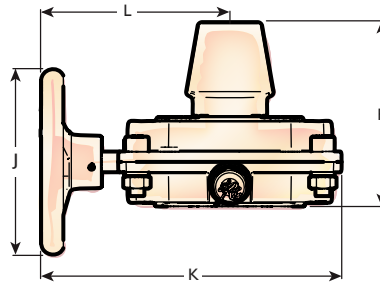
1. Dimensions and weights are for reference only. When required, request certified drawings.  
2. Face to face values have a tolerance of ±0.06 in (±2.0 mm) for sizes 10" and lower and a tolerance of ±0.12 in (±3.0 mm) for sizes 12" and larger.

# BFV77G-UL

- Butterfly Valve • Resilient Seat
- Ductile Iron • Size 2 ~ 12"



**300 psi  
PRESSURE  
RATING!**



Our grooved end butterfly-valve with shortened neck, allows for compact and easy install. Complete with visual and electronic indicators, safely know when your valve is open or closed.



NSF/ANSI 61 NSF/ANSI 372

## DIMENSIONS AND PERFORMANCE DATA <sup>(1)</sup>

SIZE	IN	MM	2	2 1/2	3	4	5	6	8	10	12
			50	65	80	100	125	150	200	250	300
<b>A</b> DIMENSION CTR. LINE TO TOP <sup>(2)</sup>	in		3.50	4.00	4.30	5.00	5.55	6.00	7.25	8.50	10.00
	mm		89	102	109	128	141	153	184	216	254
<b>B</b> DIMENSION CTR. LINE TO BOTTOM	in		2.56	2.80	3.19	3.74	4.37	5.24	6.46	7.72	8.90
	mm		65	71	81	95	111	133	164	196	226
<b>C</b> DIMENSION FACE TO FACE	in		3.19	3.82	3.82	4.57	5.83	5.83	5.24	6.26	6.50
	mm		81	97	97	116	148	148	133	159	165
<b>D</b> DIMENSION DISC	in		1.98	2.39	2.99	3.88	4.83	5.83	7.83	9.92	11.83
	mm		50	60	76	98	123	148	199	252	301
<b>E</b> NPT PLUG END DIAMETER	in		2.37	2.87	3.50	4.50	5.56	6.63	8.63	10.75	12.75
	mm		60	73	89	114	141	168	219	273	324
<b>F</b> DIMENSION ACTUATOR HEIGHT OVERALL	in		4.82	4.82	4.82	4.82	4.82	4.82	4.82	4.82	5.19
	mm		122.5	122.5	122.5	122.5	122.5	122.5	122.5	122.5	132.0
<b>G</b> DIMENSION MOUNT FLANGE DIAMETER	in		3.54	3.54	3.54	3.54	3.54	3.54	4.92	4.92	4.92
	mm		90	90	90	90	90	90	125	125	125
<b>H</b> DIMENSION MOUNT FLANGE B.C.D.	in		2.75	2.75	2.75	2.75	2.75	2.75	4.00	4.00	4.00
	mm		70	70	70	70	70	70	102	102	102
<b>H1</b> DIMENSION BOLT HOLE DIAMETER	in		0.394	0.394	0.394	0.394	0.394	0.394	0.472	0.472	0.472
	mm		10	10	10	10	10	10	12	12	12
<b>N-Ø</b> DIMENSION BOLT DIA. SIZE <sup>(3)</sup>	in		5/16-18	5/16-18	5/16-18	5/16-18	5/16-18	5/16-18	3/8-16	3/8-16	3/8-16
	mm		M8	M8	M8	M8	M8	M8	M10	M10	M10
ASSEMBLED WEIGHT APPROXIMATE	lb		16.31	17.63	18.30	21.38	26.50	34.61	44.53	62.83	91.5
	kg		7.4	8.0	8.3	9.7	12.0	15.7	20.2	28.5	41.5
Flow Coefficient FULLY OPEN	C <sub>v</sub>		145	225	325	590	1125	1950	3250	5000	7500

1. Dimensions, weights, and flow coefficients are provided for reference only. When required, always request certified drawings.
2. Face to face values have a tolerance of ±0.06 in (±2.0 mm) for sizes 10" and lower and a tolerance of ±0.12 in (±3.0 mm) for 12".
3. Additional accessories and technical data available, please refer to sheets Spec. BFVT & BFVA for information.
4. Larger sizes and various styles available, contact factory for details.
5. Number of Bolts for sizes 2" ~ 12" is Four (4).

# TECHNICAL SPECIFICATIONS

## EPDM

Titan's Fire-Line boasts EPDM seats and O-rings. EPDM is likely the most water resistant rubber available. EPDM has good resistance to mild acids, alkalis, ketones, alcohols, and other polar solvents.



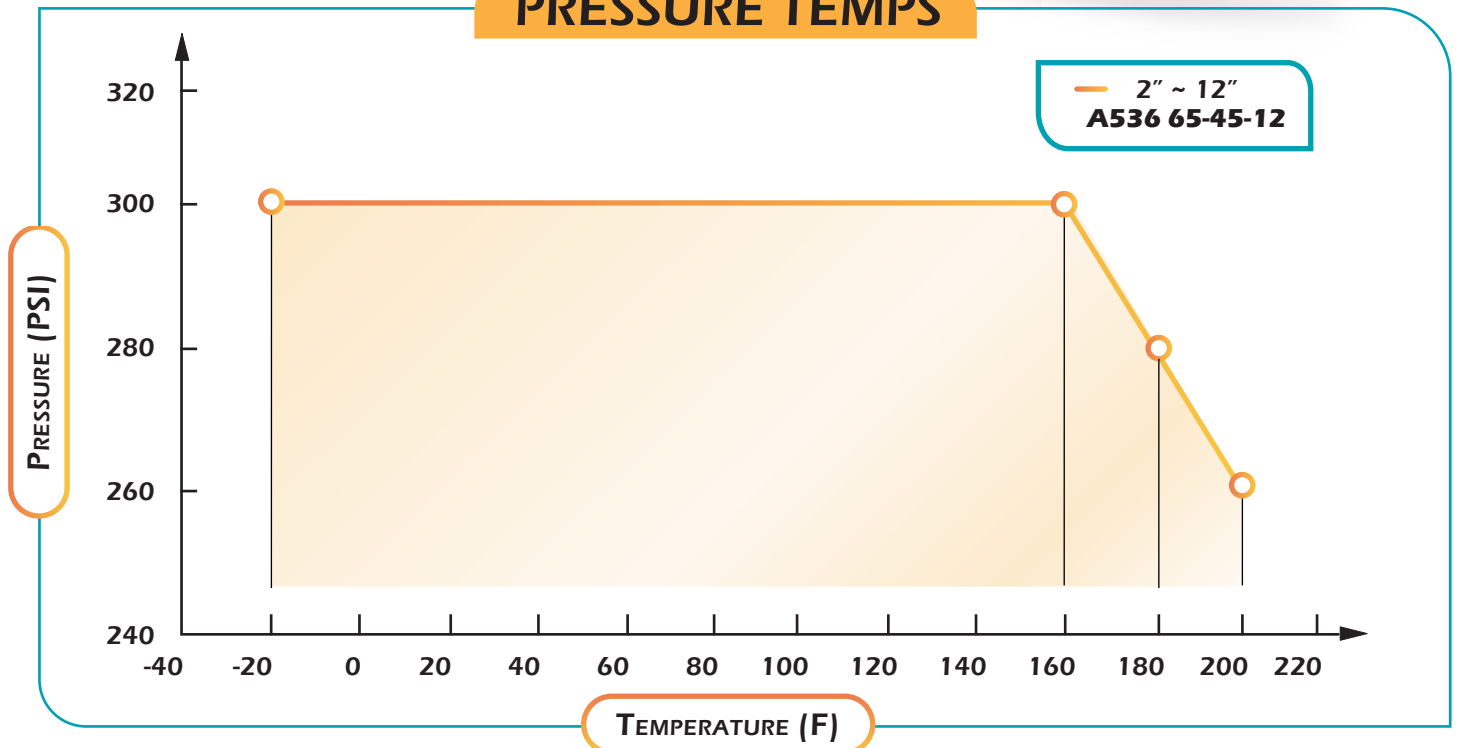
**TITAN SCREENS ARE MADE RIGHT HERE IN OUR LUMBERTON, NC FACILITY!**

## CONNECTIONS

Titan's Quick-Connect ends allow for easy maintenance and install. Our rigid couplings are designed in accordance with AWWA C606 Standard. Rigid couplings help reduce movement and rotation after installation.



## PRESSURE TEMPS



Titan Flow Control, Inc has multiple designs and specifications available upon request. Contact us for MORE INFORMATION.

- YS58-UL (FLANGED) WYE STRAINER
- CV41-UL CHECK VALVES
- BF75 ~ BF76-UL LUG & WAFER BUTTERFLY VALVES