

October 2015

Max-Seal Butterfly Valves: Expanded Cincinnati Inventory IN STOCK:

SDH Flow Controls is pleased to announce that we have expanded our inventory of the Max-Seal Performance Series Butterfly Valves. This means we now have over \$ 150,000 worth of Butterfly Valves available for immediate shipment. Our current inventory includes Lug and Wafer body styles (both in Ductile Iron) with all discs and stems being stainless steel. In addition, we are stocking EPDM, Buna, and Viton seats. We have size ranges from 2 inch through 16 inch on the shelf! Please keep in mind that all sales go through our distributor network.

MAX SEAL Valves & Controls
 RESILIENT SEATED BUTTERFLY VALVES

Performance Series
 Available in Wafer and Lug Styles
 Butterfly Valves Designed for Automation & Demanding Manual Applications

Models:
 Wafer 51
 Lug 52

Size Range:
 2" thru 36"

Pressure Rating:
 2" - 12" 200 WOG / Bi-directional Flow
 14" - 24" 175 WOG / Bi-directional Flow
 250 WOG - Optional - Uni-directional

Ductile Iron Body, Rugged Heavy Duty Construction, High Quality Epoxy Coating for Excellent Corrosion Resistance, 2-Piece Stem Design Allows for Easy Assembly and Maintenance with Higher Flow Capacity, ISO Actuator Mounting

Max-Seal Concentric Butterfly Valves are backed by the resources and experience of over thirty five years of process valve and automation experience.

www.maxsealinc.com

Max-Seal end users! Feel free to call! We can get product to you through any one of several authorized distributors. Orders in by 4:00 PM will typically ship SAME DAY. We also will direct ship which means orders through our distributors can be on the way to you RIGHT AWAY! Need a skid? Not a problem, we are ready to ship full skid items easily from our facility. Max-Seal is a high quality butterfly line that provides tremendous value. Material that is not in stock will be shipped from our plant in North Carolina where there is additional product and inventory waiting to meet your needs. See our website (SDH) or go to www.maxsealinc.com for more information.

VAC NEW Explosion Proof Switch Offering:



Valve Accessories and Controls (VAC) offers a compact NEMA 7 (explosion proof) limit switch for both the V100 and V200 pneumatic positioners utilizing their optional top cover which allows for mounting an external limit switch. Our standard V100 and V200 positioners utilize our standard NEMA 4X housing, which does not allow for mounting in an explosive environment. This switch offering comes standard with an aluminum housing, high visibility indicator, as well as a myriad of switch options such as SPDT, DPDT, or Proximity type switches. With its twin-shaft design, the VAC Explosion Proof Switch allows easy and accurate assembly while also reducing the clearance requirements for cover installation. This switch is also available with 4/20 mA feedback as an additional option, allowing you to offer your customer a complete positioner and limit switch package from Valves Accessories and Controls. Please contact SDH Flow Controls or VAC for more information.

Mill-Rite Inc:



If you are in need of High Quality bracketry and couplings, Mill-Rite has you covered. From standard Namur style mounting kits to Three-Way T-linkage kits and custom special manufacturing, Mill-Rite is your one stop source. Mill-Rite has you covered from the initial design and planning through the final production and customer support. At Mill-Rite, no job is too big, too small, or too challenging. For more information, please visit www.millriteinc.com.

Titan Spectacle Blinds:



Looking for Spectacle Blinds? Look no further than Titan Flow Control. When you need to ensure complete shut off, a Spectacle Blind may be the way to go. Commonly referred to as Line blinds, this product can ensure total isolation from other equipment or pipes downstream. Titan offers a full range of spectacle blinds and single blinds for your pipeline, available in both stainless and carbon steel with a standard mill finish. Other materials as well as serrated or ground finishes are available. Please contact SDH Flow Controls or Titan Flow Control for more information. www.titanfci.com

Flo-Tite Pro-Max Valve:



Flo-Tite has introduced a new valve series called the Pro-Max. The Pro-Max is a high quality, economical 3 piece fire safe ball valve that combines many key features. The Pro-Max provides as standard a locking device, blowout proof stem, fully contained cap screws, and many other great features. Need an automated package? Not a problem for the Pro-Max valve with its ISO 5211 integral mounting pad! Available in both Stainless as well as Carbon steel, the Pro-Max is designed to meet your many needs! Please contact SDH Flow Controls or Flo-Tite for additional product information. www.flotite.com

Come See Us!!

~Upcoming Events~

- Power Gen International – Las Vegas - December 8-10, 2015
- AHR - Orlando - January 25-27, 2016 (Heating and Air Show)

VAC at Valve World 2015:

SDH Flow Controls is a stocking representative for VAC based in Cincinnati, Ohio. VAC (Valve Accessories and Controls) displayed their full range of products at this year's show and received tremendous praise for their new booth design showing fully operational positioners. Showcased at this year's show were the V100 and V200 units along with the digital D400 and D500 units. VAC provides a wide range of products to the valve industry, including a full offering of pneumatic positioners for rotary as well as linear valves. In addition to valve positioners, VAC and SDH stocks mounting kits and accessories for hundreds of different actuators. Most products are available off the shelf. VAC and SDH offer extensive capabilities to modify products based on VAC's unique modular designs. Contact SDH Flow Controls for more information or visit www.vacaccessories.com.



Pictured above is Wayne Fleming, President of VAC (Valves Accessories and Controls), and Steve Hendricks of SDH Flow Controls, at the recent Valve World Show in Houston.



Titan Boot Camp:

Titan Flow Control holds special training sessions which are held at various times throughout the year. This is a product and sales focused training that goes for 2 1/2 days with an emphasis in hands on training for strainers and flow control products with a focus on products designs. Space is limited. Please contact SDH Flow Controls for more information about next year's sessions.

NOTE: Not all products available in all geographical locations.

SDH at Valve World 2015:

Several key SDH principals were at this year's show. Mill-Rite (Valve brackets and couplings) "Setting Valves in Motion", Flo-Tite Valves and Controls, Max-Seal Valves and Controls, Titan Flow Control, and VAC (Valve Accessories and Controls) Valve positioners for all of your positioner needs.



Pictured here are Steve Hendricks and Patrick Graham of SDH Flow Controls

Titan Flow Control:

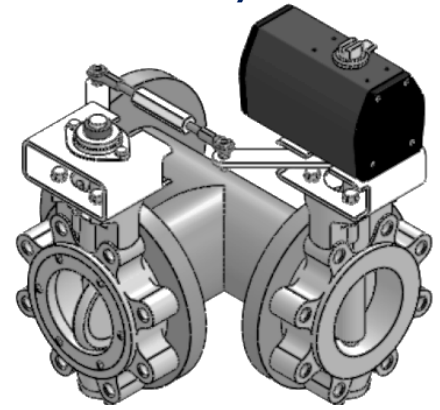
SDH is the manufacturer's rep for Titan Flow Control based out of Cincinnati, Ohio. SDH covers a multiple state area and can assist you with technical assistance as well as quotations for all Titan Flow Control products. Titan offers a wide range of strainer designs in various metals as well as special FRP body materials. Titan maintains an extensive inventory of strainers of many types and styles. Size ranges from 1/4 inch through 42 inch. Many other sizes can be fabricated in their own expanded fabrication facility. In addition to complete straining devices, Titan provides custom fabrication of screens and baskets that can be formed to fit almost any existing strainer in the field. Contact SDH Flow Controls to learn more about this time saving and cost effective way to keep your pipeline up and running

Flo-Tite V-Balls:



When you are in need of more control than a standard ball valve offers, Flo-Tite has you covered with their V-Ball Control Valves. Available in a wide variety of series, from the F150 to the Multi-Choice, Flo-Tite maintains a large stock of standard 15, 30, 60, and 90 degree openings, as well as specially designed offerings. These offerings are available as a complete factory assembled package, complete with actuator, VAC positioner, and all associated mounting. Please contact SDH Flow Controls or Flo-Tite for more informatio. (www.sdhflowcontrols.com, www.flotite.com)

Mill-Rite 3-way assemblies:



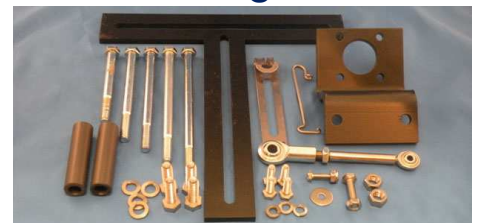
3-way assemblies are often used on butterfly valves to provide a useful, versatile and cost effective way to create a multi-port (three way) valve. The critical aspect of these assemblies is the linkage assembly itself. Mill-Rite provides these assemblies in a very cost effective manner in size ranges of from 1 1/2 inch through 36 inch. Three way assemblies are often referred to as a "master and slave". Contact us for more information

Valve World 2015:



SDH attended Valve World 2015 in July at Houston TX. This show was packed with manufacturers of quality valve and valve related products from all over. This show is held in Houston "EVERY OTHER YEAR" and word is that Valve World 2017 has doubled its size for 2017. That took place on the last day of this year's show. Wonder what the size of 2017 will really end up being? One way to find out! And that is to mark your calendars NOW to become a participant (or attendee) at the 2017 Valve World Show in Houston.

VAC Mounting Kits:



Mounting Positioners to linear type valves has often been viewed by end users and distributors as complicated. VAC has helped make mounting positioners to linear valves easier with their special linear mounting kit. This kit allows for multiple adjustments. SDH maintains an inventory of this mounting kit. Call us for more information!